

HAYMAN REESE
PART No: 03225RW
AUDI Q5 FY CL4

INSTALLATION INSTRUCTIONS

PLEASE ENSURE THAT INSTRUCTIONS ARE UNDERSTOOD PRIOR TO FITMENT
PLACE THESE INSTRUCTIONS IN THE VEHICLE'S GLOVEBOX AFTER INSTALLATION IS COMPLETED



Installation Time: Approx 150 Mins

Towbar Installation Instructions Towbar capacity

AUDI Q5 FY CL4
Part Number 03225RW

Max Towing Braked 2000kg
Max Towing Unbraked 750kg
Max Static Ball Load 200kg

ECU: 04828

Tail Length: 1800mm

RPA Disable: Button Below The Centre Console

Electric Brake Location: Near ECU Behind Rear Storage Trim

Hayman Reese (Cequent)
PO Box 4050, Dandenong South VIC 3164
Phone 1800 812 017 Email info@haymanreese.com.au

www.haymanreese.com.au



HAYMAN REESE
PART No: 03225RW
AUDI Q5 FY CL4

INSTALLATION INSTRUCTIONS

PLEASE ENSURE THAT INSTRUCTIONS ARE UNDERSTOOD PRIOR TO FITMENT
PLACE THESE INSTRUCTIONS IN THE VEHICLE'S GLOVEBOX AFTER INSTALLATION IS COMPLETED

Warning:

1. Do not, drill, cut, weld or otherwise modify the towbar.
2. If you are using electric welding on a motor vehicle, **always** check that the vehicle is not equipped with electronic
- 3.
4. engine or instrument management equipment. Failure to do so could **destroy** any on board computers. If in doubt, check with the vehicle's manufacturer.
5. If TBM is used in inverted position tow ball may make contact with rear tailgate when lowered, which could cause damage.

General:

1. Ensure all hardware items have been included refer to assembly diagram.
2. It is recommended that the instructions are read through and completely understood before making any attempt to fit this product.
3. Be wary of any changes to vehicle designs or other accessories that may conflict with the installation of this product.
4. Before drilling ensure that the area is clear of fuel, electrical & other components.
5. All holes drilled into the body panels shall have all burrs & swarf removed then coated with a suitable rust preventative paint.
6. The high tensile fasteners supplied with this product were used to achieve the specified rating. If replacement is required ensure that fasteners of the same rating & quality are used. Contact an authorised **Hayman Reese** dealer if further information is required.
7. Ensure that all hardware is fastened to torque list below check fasteners on regular basis.
8. Towbar load rating sticker provided with this product shall be conspicuously located on inside rear end of the driver's door. **(See diagram below).**
9. Hayman Reese recommends that you check your tow ball to ensure that it complies with the Australian standards **AS 4177.2**.
10. **PLEASE NOTE:** It is advised to remove your LUG or TBM when not actually towing so as to produce a clear view of the vehicles registration plate if obscured, and to also provide maximum available departure angle.

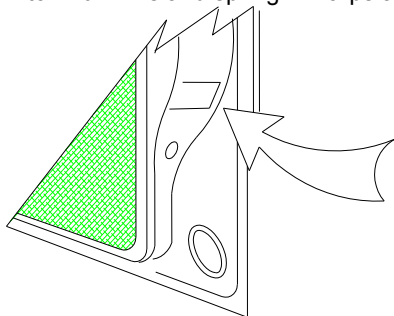
Tow bar Maintenance and Care.

Hayman Reese recommends that bolt torque's, as listed below, are routinely and regularly inspected and checked for correct tension. Replace any worn or defective parts.

We recommended to remove Tow Ball Mounts (TBM's, tongues or lugs) when not being used for any considerable length of time.

So as to avoid injury, when not towing it is suggested that the tongue, Pull Pin and R-clip are removed then stored in a safe, clean and dry place, away from excessive moisture.

Hitch Pull Pins and spring "R" clips are regularly checked for proper installation. Replace any worn or defective parts.



Place load rating sticker
inside driver's door here

RECOMMENDED ASSEMBLY TORQUE LISTING

Diameter Grade 8.8 Bolt

M6	9.5 Nm
M8	21.7 Nm
M10	43.4 Nm
M12	77.3 Nm
M14	146 Nm
M16	189.8 Nm

FOR TOWING PURPOSES ONLY

For towing capacity details please refer to vehicle owner's manual or to the manufacturer. Overloading can void your warranties.

Hayman Reese (Cequent)
PO Box 4050, Dandenong South VIC 3164
Phone 1800 812 017 Email info@haymanreese.com.au

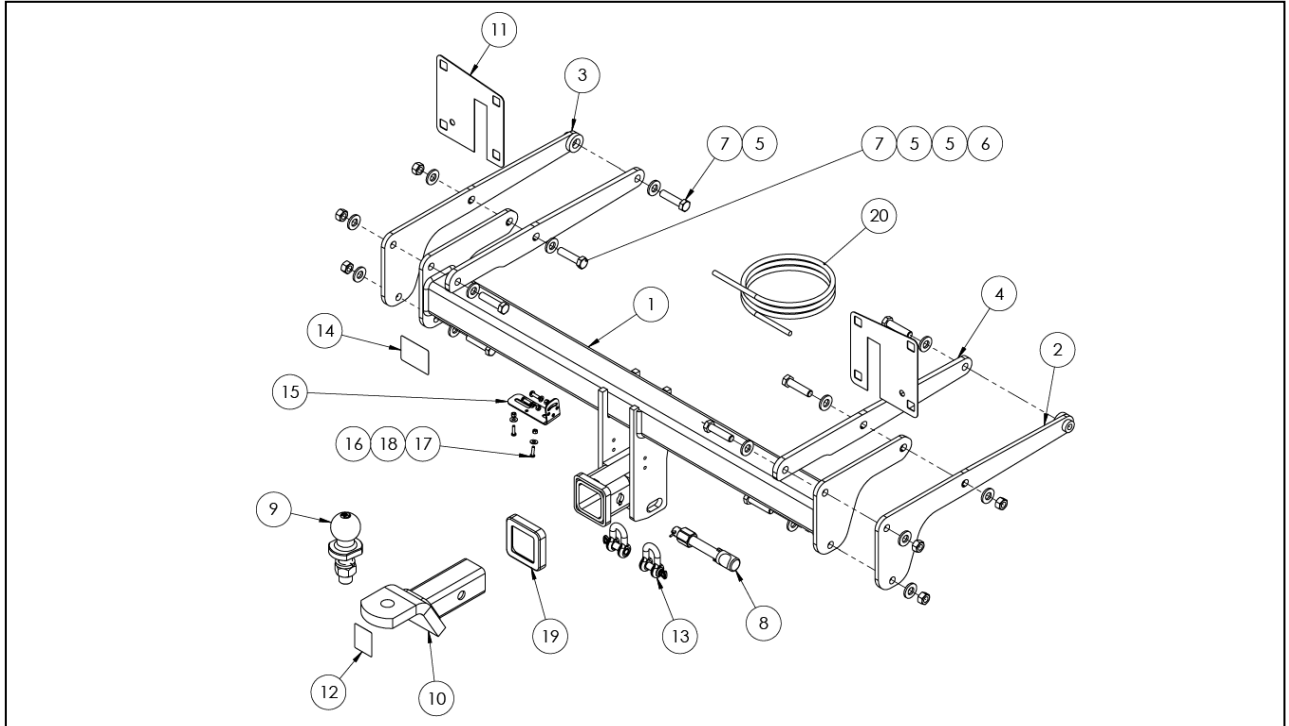
www.haymanreese.com.au



HAYMAN REESE
PART No: 03225RW
AUDI Q5 FY CL4

INSTALLATION INSTRUCTIONS

PLEASE ENSURE THAT INSTRUCTIONS ARE UNDERSTOOD PRIOR TO FITMENT
 PLACE THESE INSTRUCTIONS IN THE VEHICLE'S GLOVEBOX AFTER INSTALLATION IS COMPLETED



ITEM	DESCRIPTION	QTY
1	AUDI Q5 WELDED ASSY	1
2	SIDE ARM ASSY RH	1
3	SIDE ARM ASSY LH	1
4	SIDEARM SUPPORT	2
5	WASHER PLAIN 1/2X1-1/8X16G	14
6	NUT HEX HD M12 X 1.25P G8	6
7	SET SCREW M12-1.25x50 GR 8.8 Z/P	8
8	SMART PIN ASSY CLASS 4 - GOLD	1
9	TOWBALL 50MM FLAT CHROME 3500KG HR	1
10	TRAILER BALL MOUNT	1

ITEM	DESCRIPTION	QTY
11	SPLASH PLATE	2
12	H.R STICKER	1
13	10mm "D" SHACKLE	2
14	ACRYLIC COMPLIANCE LABEL	1
15	UNIVERSAL PLUG BRACKET KIT	1
16	NUT NYLON LOCK HEX HD M4X0.7P G8	2
17	SCREW PAN HD M4 X 16 X 0.7P G4.6	2
18	WASHER PLAIN 3/16 X 1/2 X 20G	2
19	HITCH BOX COLLAR COVER	1
20	WIRING LOOM	1

Hayman Reese (Cequent)
 PO Box 4050, Dandenong South VIC 3164
 Phone 1800 812 017 Email info@haymanreese.com.au

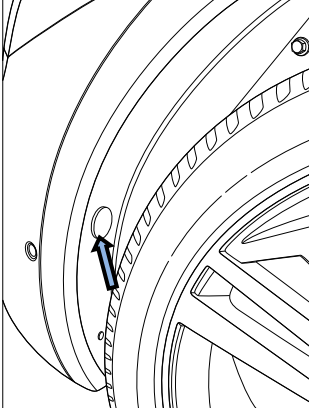
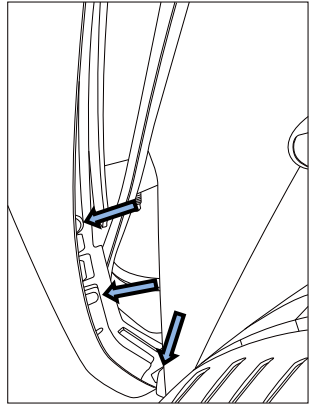
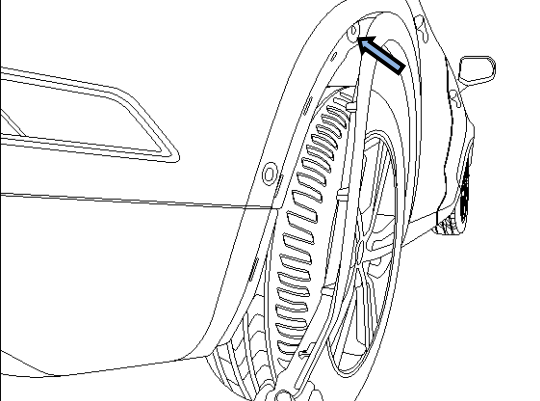
www.haymanreese.com.au



HAYMAN REESE
PART No: 03225RW
AUDI Q5 FY CL4

INSTALLATION INSTRUCTIONS

PLEASE ENSURE THAT INSTRUCTIONS ARE UNDERSTOOD PRIOR TO FITMENT
PLACE THESE INSTRUCTIONS IN THE VEHICLE'S GLOVEBOX AFTER INSTALLATION IS COMPLETED

<p>1. In bottom of wheel arch, remove 1 x Torx screw.</p> <p>Repeat for other side</p>	
<p>2. In the wheel arch peel back the trim and remove the 3 x Torx screws.</p> <p>Repeat for other side.</p>	
<p>3. Peel away the wheel arch skirt to reveal a torx screw.</p> <p>Remove 1 x Torx screw</p> <p>Repeat for other side.</p>	

Hayman Reese (Cequent)
PO Box 4050, Dandenong South VIC 3164
Phone 1800 812 017 Email info@haymanreese.com.au

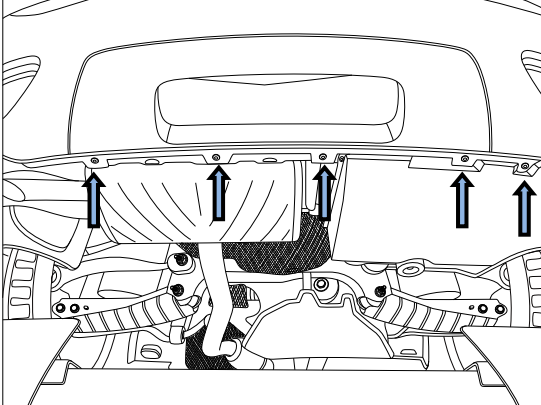
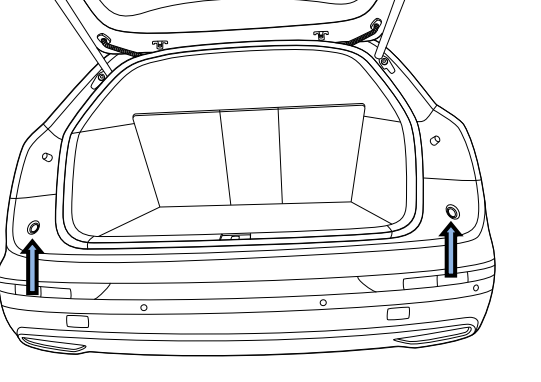
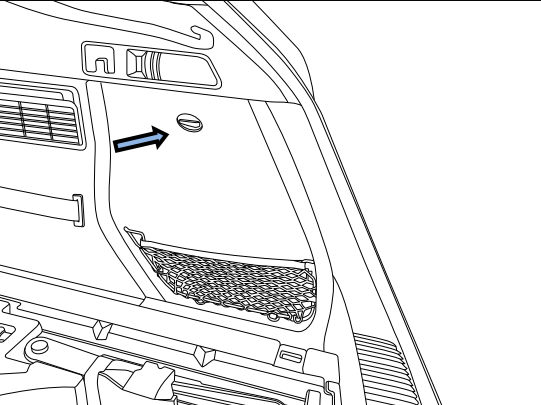
www.haymanreese.com.au



HAYMAN REESE
PART No: 03225RW
AUDI Q5 FY CL4

INSTALLATION INSTRUCTIONS

PLEASE ENSURE THAT INSTRUCTIONS ARE UNDERSTOOD PRIOR TO FITMENT
PLACE THESE INSTRUCTIONS IN THE VEHICLE'S GLOVEBOX AFTER INSTALLATION IS COMPLETED

<p>4. Remove 5 x Torx screws located along bottom width of the bumper.</p>	
<p>5. Open tailgate and remove the exposed 2 x Torx screws securing the bumper to the body.</p>	
<p>6. In luggage compartment, remove the RH and LH side covers. Disconnect the electrical harness connected to the RH cover.</p>	

Hayman Reese (Cequent)
PO Box 4050, Dandenong South VIC 3164
Phone 1800 812 017 Email info@haymanreese.com.au

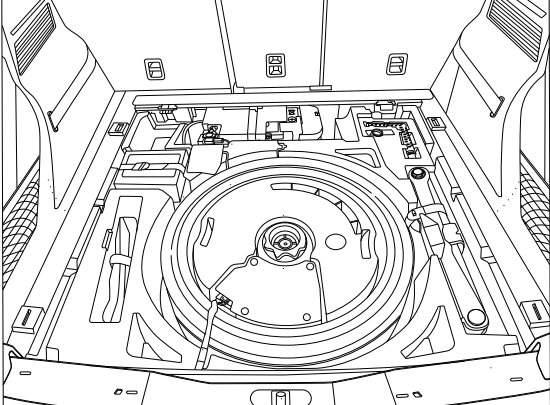
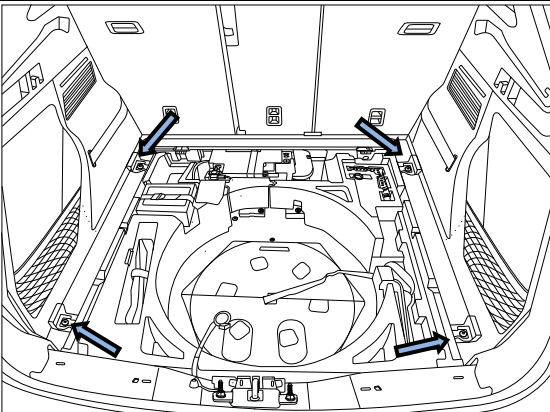
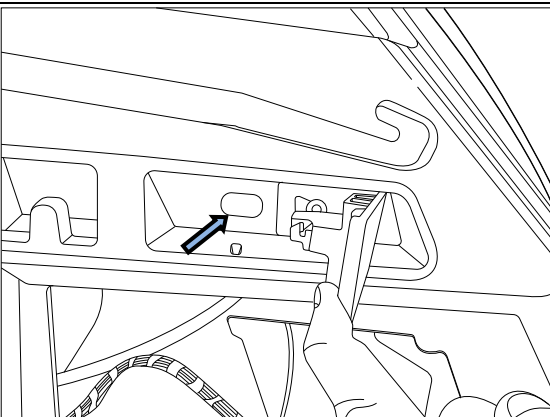
www.haymanreese.com.au



HAYMAN REESE
PART No: 03225RW
AUDI Q5 FY CL4

INSTALLATION INSTRUCTIONS

PLEASE ENSURE THAT INSTRUCTIONS ARE UNDERSTOOD PRIOR TO FITMENT
PLACE THESE INSTRUCTIONS IN THE VEHICLE'S GLOVEBOX AFTER INSTALLATION IS COMPLETED

<p>7. Remove luggage compartment cover.</p> <p>8. Remove rear trim panel (pull upwards).</p> <p>9. Disconnect harness and remove the speaker, spare wheel, compressor, jack and tool kit.</p>	
<p>10. In luggage compartment, lift the tie down bracket covers and remove the 4 x Tie down brackets secured with 1 x Torx screw per bracket.</p> <p>Remove the LH and RH plates</p>	
<p>11. In luggage compartment, remove plastic tab and the 1 x Torx screw, located behind the seat release lever.</p> <p>Repeat for other side.</p>	

Hayman Reese (Cequent)
PO Box 4050, Dandenong South VIC 3164
Phone 1800 812 017 Email info@haymanreese.com.au

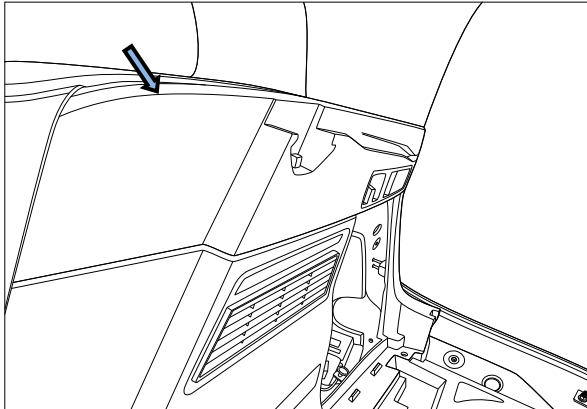
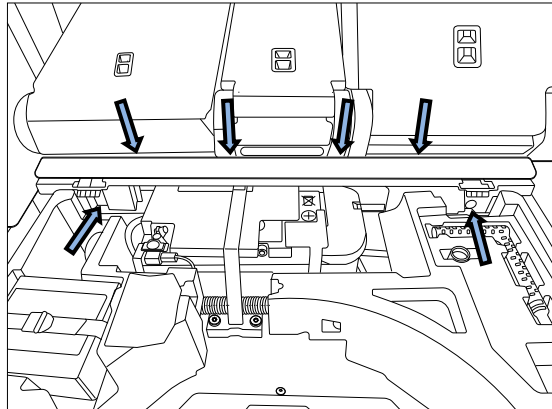
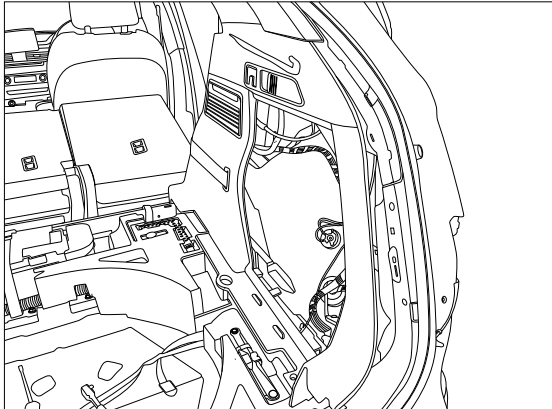
www.haymanreese.com.au



HAYMAN REESE
PART No: 03225RW
AUDI Q5 FY CL4

INSTALLATION INSTRUCTIONS

PLEASE ENSURE THAT INSTRUCTIONS ARE UNDERSTOOD PRIOR TO FITMENT
PLACE THESE INSTRUCTIONS IN THE VEHICLE'S GLOVEBOX AFTER INSTALLATION IS COMPLETED

<p>12. In luggage compartment, remove the top trim panel (pull off).</p> <p>Repeat for other side.</p>	
<p>13. Move rear seats forwards to access the front luggage plate.</p> <p>14. Remove the front luggage plate secured with 6 x grommets (2 x rear and 4 x front)</p>	
<p>15. Peel away the LH and RH side trim to enable the removal of the polystyrene toolkit holder.</p> <p>16. Remove the polystyrene toolkit holder.</p>	

Hayman Reese (Cequent)
PO Box 4050, Dandenong South VIC 3164
Phone 1800 812 017 Email info@haymanreese.com.au

www.haymanreese.com.au



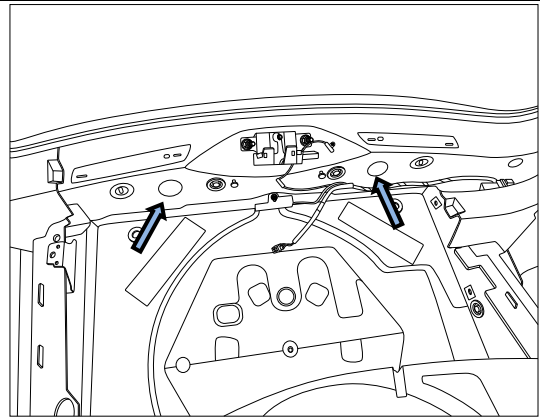
HAYMAN REESE
PART No: 03225RW
AUDI Q5 FY CL4

INSTALLATION INSTRUCTIONS

PLEASE ENSURE THAT INSTRUCTIONS ARE UNDERSTOOD PRIOR TO FITMENT
PLACE THESE INSTRUCTIONS IN THE VEHICLE'S GLOVEBOX AFTER INSTALLATION IS COMPLETED

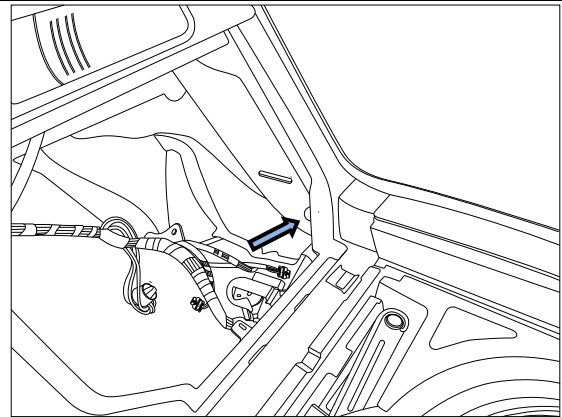
17. In luggage compartment on the rear panel remove the outer 2 x rubber caps to expose the bumper securing studs.

18. Remove the nuts.

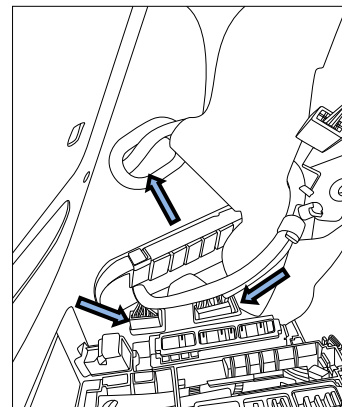


19. In the RH luggage compartment side wall cavity, move away the felt to expose a bumper securing stud. Remove the nut.

Repeat for LH side.



20. In the LH luggage compartment side wall cavity disconnect 2 x connectors from the fuse box and push out the rubber grommet (towards bumper).



Hayman Reese (Cequent)
PO Box 4050, Dandenong South VIC 3164
Phone 1800 812 017 Email info@haymanreese.com.au

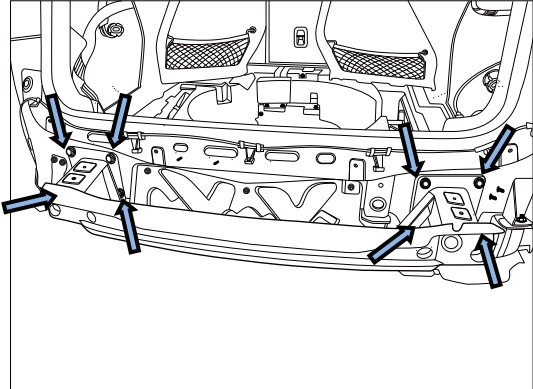
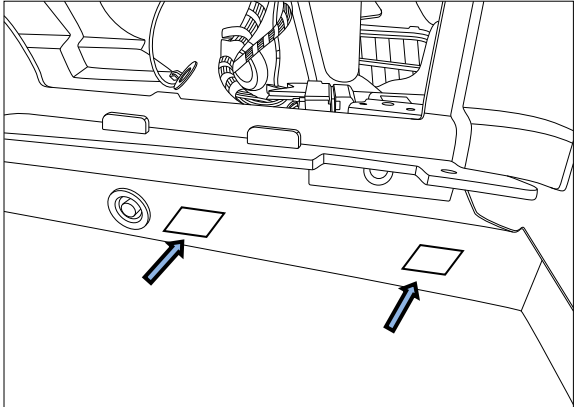
www.haymanreese.com.au



HAYMAN REESE
PART No: 03225RW
AUDI Q5 FY CL4

INSTALLATION INSTRUCTIONS

PLEASE ENSURE THAT INSTRUCTIONS ARE UNDERSTOOD PRIOR TO FITMENT
PLACE THESE INSTRUCTIONS IN THE VEHICLE'S GLOVEBOX AFTER INSTALLATION IS COMPLETED

<p>21. Carefully peel bumper away from the sides of the vehicle and remove.</p>	
<p>22. Remove and discard the impact beam secured with 8 x bolts (4 per side).</p> <p>NOTE: Retain the bolts for later use.</p>	
<p>23. In luggage compartment, remove the tape from the chassis to expose the side arm mounting holes.</p> <p>Repeat for other side.</p>	

Hayman Reese (Cequent)
PO Box 4050, Dandenong South VIC 3164
Phone 1800 812 017 Email info@haymanreese.com.au

www.haymanreese.com.au



HAYMAN REESE
PART No: 03225RW
AUDI Q5 FY CL4

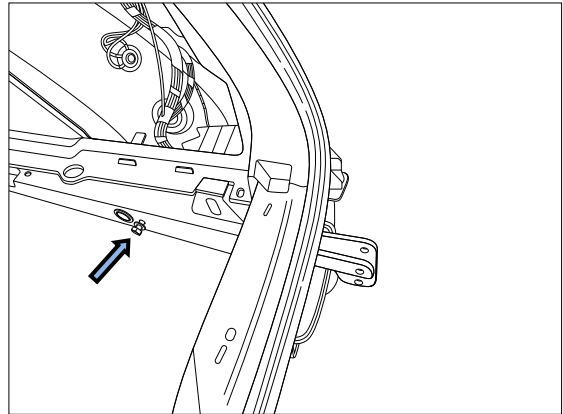
INSTALLATION INSTRUCTIONS

PLEASE ENSURE THAT INSTRUCTIONS ARE UNDERSTOOD PRIOR TO FITMENT
PLACE THESE INSTRUCTIONS IN THE VEHICLE'S GLOVEBOX AFTER INSTALLATION IS COMPLETED

24. Insert the RH side arm assembly (outside) with the side arm support (inside) and loosely secure to the front mounting hole with 1 x M12 bolt complete with 1 x washer.

Note: The cut away on the side arm support must face down.

Repeat for LH side.

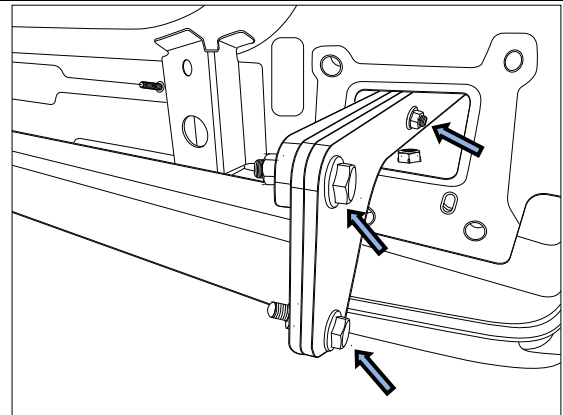


25. Position the cross tube side arm between the side arm support and the side arm assembly and secure with 3 x M12 bolts complete with 2 x washers and 1 x nut per bolt.

NOTE. The front bolt is fitted from inside the luggage compartment.

Repeat for other side.

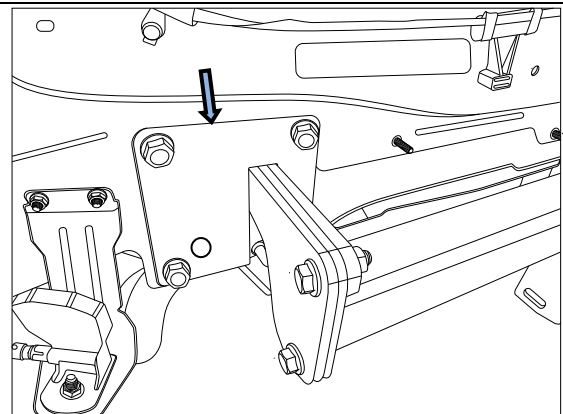
Torque all fasteners to 89Nm.



26. Position the splash plate over the side arm assembly and secure with the retained 4 x M12 bolts.
Seal around the side arms with a suitable sealant.
Do not seal off the drain hole.

Torque the bolts to 89Nm

Repeat for other side.



Hayman Reese (Cequent)
PO Box 4050, Dandenong South VIC 3164
Phone 1800 812 017 Email info@haymanreese.com.au

www.haymanreese.com.au



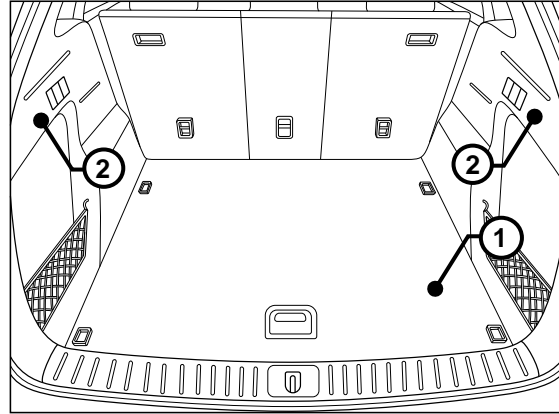
HAYMAN REESE
PART No: 03225RW
AUDI Q5 FY CL4

INSTALLATION INSTRUCTIONS

PLEASE ENSURE THAT INSTRUCTIONS ARE UNDERSTOOD PRIOR TO FITMENT
PLACE THESE INSTRUCTIONS IN THE VEHICLE'S GLOVEBOX AFTER INSTALLATION IS COMPLETED

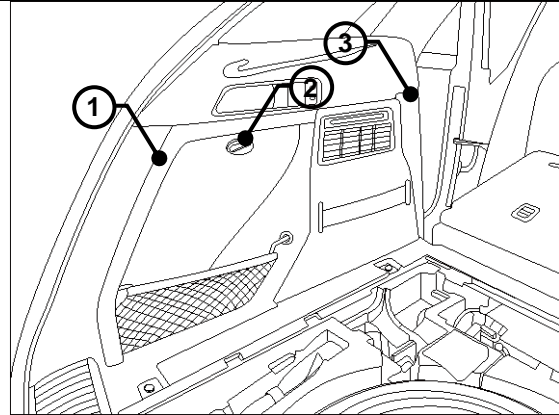
27. In the boot, remove the boot liner (1).
28. Fold the rear seats forward by pulling the levers (2).
29. Remove the spare wheel cover and the spare wheel by first removing the connector.

Note: To disconnect connector, pull on the red connector position assurance tab and then press down on the brown connector lock.

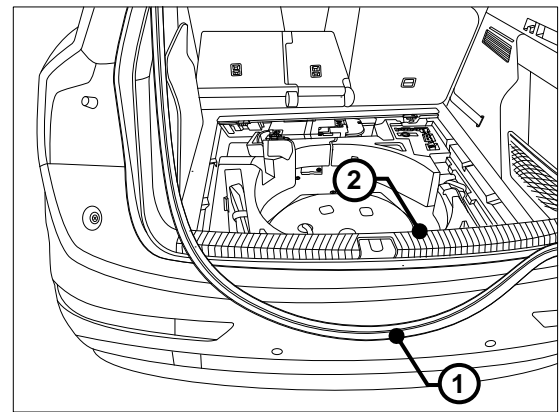


30. Remove the LHS storage trim (1) by turning the retaining clip (2) anti-clockwise by 90 degrees.
31. Remove the small trim below the LHS rear seatbelt (3) by pulling towards the centre line of the vehicle.

Repeat for RHS.



- Dislodge the boot seal (1) and then remove the scuff plate (2) by pulling up and towards the rear of the vehicle.



Hayman Reese (Cequent)
PO Box 4050, Dandenong South VIC 3164
Phone 1800 812 017 Email info@haymanreese.com.au

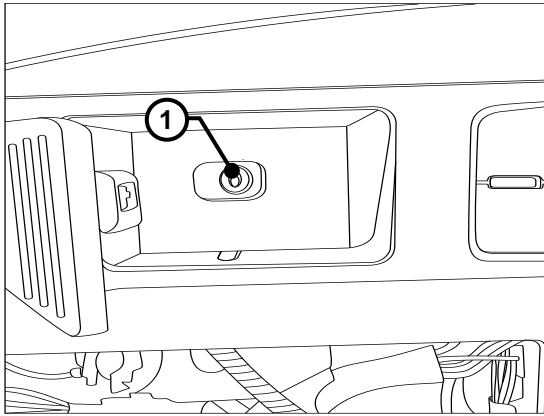
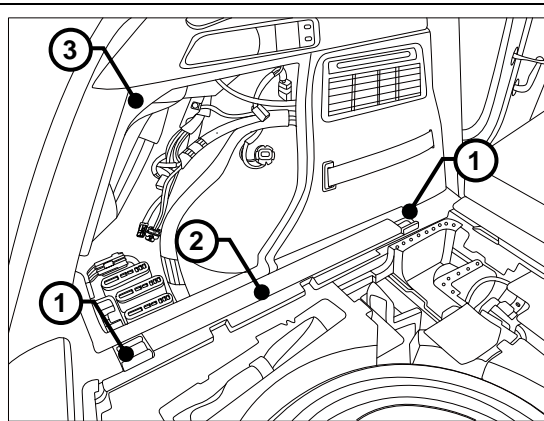
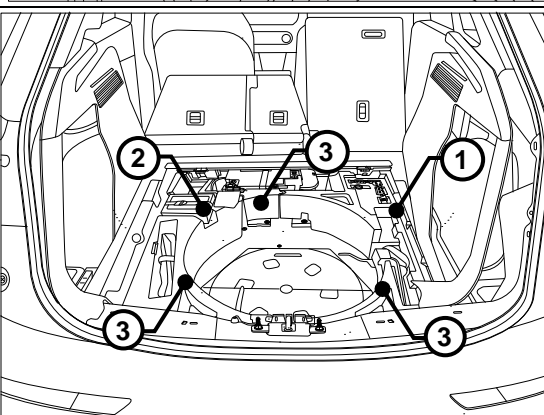
www.haymanreese.com.au



HAYMAN REESE
PART No: 03225RW
AUDI Q5 FY CL4

INSTALLATION INSTRUCTIONS

PLEASE ENSURE THAT INSTRUCTIONS ARE UNDERSTOOD PRIOR TO FITMENT
PLACE THESE INSTRUCTIONS IN THE VEHICLE'S GLOVEBOX AFTER INSTALLATION IS COMPLETED

<p>32. Behind the rear seat release on the LHS, remove the screw cover.</p> <p>33. Using a T25 Torx Bit, remove the Torx Screw (1).</p> <p>34. Repeat for LHS.</p>	
<p>35. Lift up the silver clips (1) and the black shrouds under the silver clip on the LHS to expose the T40 Torx Bolt.</p> <p>36. Remove the bolts and the trunk filler trim (2) by gently lifting upwards.</p> <p>37. Dislodge the LHS rear trim (3) by pulling towards the centre line of the vehicle.</p> <p>Repeat for RHS.</p>	
<p>38. Undo the retaining straps on the car jack (1) and tyre pump (2).</p> <p>39. Remove the black foam protectors (3) surrounding the battery and the previously removed spare wheel.</p>	

Hayman Reese (Cequent)
PO Box 4050, Dandenong South VIC 3164
Phone 1800 812 017 Email info@haymanreese.com.au

www.haymanreese.com.au

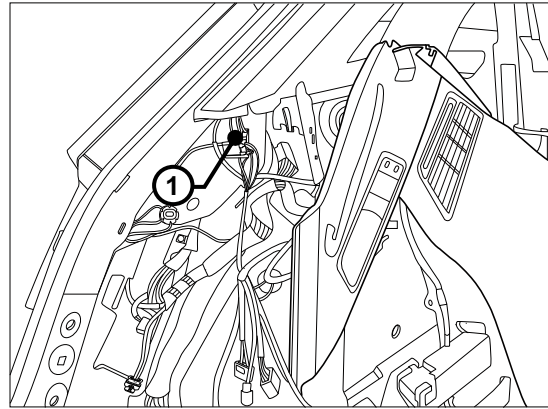


HAYMAN REESE
PART No: 03225RW
AUDI Q5 FY CL4

INSTALLATION INSTRUCTIONS

PLEASE ENSURE THAT INSTRUCTIONS ARE UNDERSTOOD PRIOR TO FITMENT
PLACE THESE INSTRUCTIONS IN THE VEHICLE'S GLOVEBOX AFTER INSTALLATION IS COMPLETED

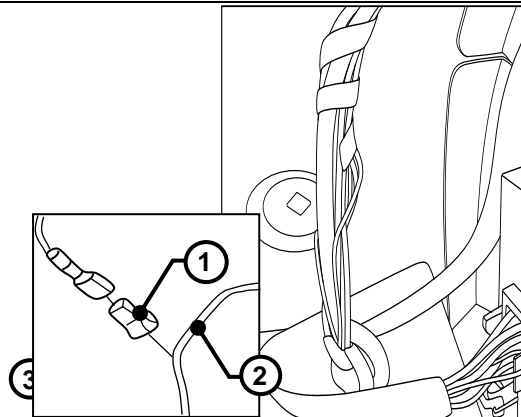
40. At the LHS C Pillar, locate the vehicle wiring loom (1) coming down from the roof.



41. Remove tape to gain enough access to apply scotch locks. Using a multi-meter, following the table below, connect the ezy-taps (1) to the mating tail light harness wires (2). Then connect the trailer patch wires (3) to the correct ezy-taps (1).

Function	Trailer Patch	Vehicle Harness
Stop/Brake	Red/Black	White wire, Grey trace
Left Indicator	Yellow/Black	Blue wire, Black trace
Right Indicator	Brown/Black	Black wire Grey trace
Tail Lights	Green/Black	Grey wire, Black trace

Note: The first wire specified is the main colour and the second wire is the trace colour.

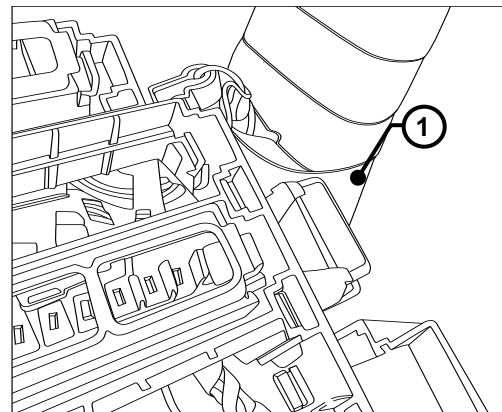


This step is only applicable for vehicles utilising reverse:

42. Down near the fuse panel behind the wheel well, remove enough tape from the large wire harness (1) to locate the wire which is 12V when reverse is active.

Function	Trailer Patch	Vehicle Harness
Reverse	White/ Black	Black wire, Blue trace

Note: there are 2 black wires with blue traces (and 3 blue wires with black traces). Use a multi-meter to tap onto the correct 12V signal when reverse is active



Hayman Reese (Cequent)
 PO Box 4050, Dandenong South VIC 3164
 Phone 1800 812 017 Email info@haymanreese.com.au

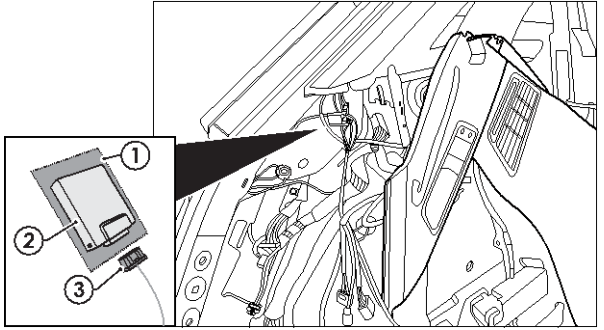
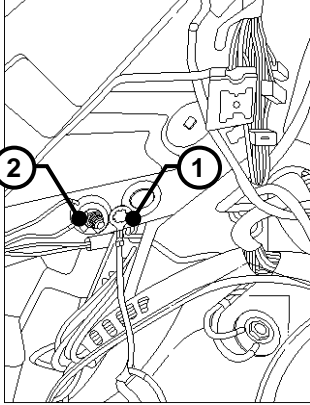
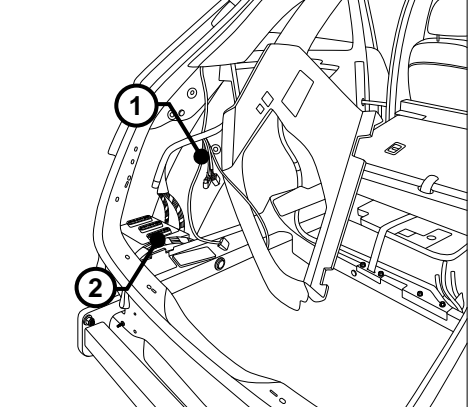
www.haymanreese.com.au



HAYMAN REESE
PART No: 03225RW
AUDI Q5 FY CL4

INSTALLATION INSTRUCTIONS

PLEASE ENSURE THAT INSTRUCTIONS ARE UNDERSTOOD PRIOR TO FITMENT
PLACE THESE INSTRUCTIONS IN THE VEHICLE'S GLOVEBOX AFTER INSTALLATION IS COMPLETED

<p>43. Using an alcohol wipe, clean the LHS inner sheet metal area (1) and the underside of the ECU (04828) (2).</p> <p>44. Apply double sided tape to the ECU (2) and secure it to the vehicle sheet metal in the area shown.</p> <p>45. Connect the trailer patch 12-way connector (3) to the ECU.</p> <p>Note: Ensure the ECU connector is facing downwards.</p>	
<p>46. Connect the ground wire ring terminal (1) to the vehicle earth point (2).</p>	
<p>47. Route the orange wire (1) down towards the fuse panel (2).</p>	

Hayman Reese (Cequent)
PO Box 4050, Dandenong South VIC 3164
Phone 1800 812 017 Email info@haymanreese.com.au

www.haymanreese.com.au

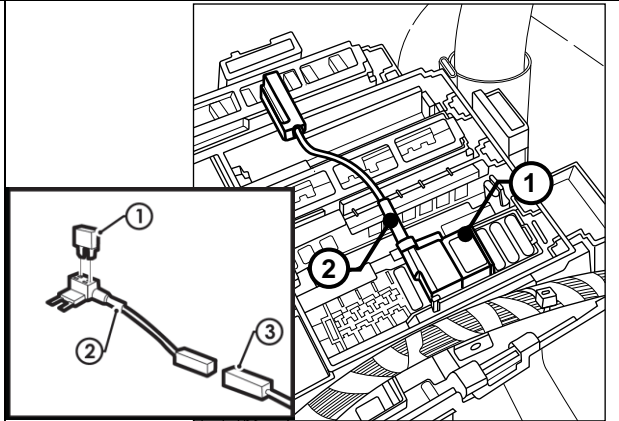


HAYMAN REESE
PART No: 03225RW
AUDI Q5 FY CL4

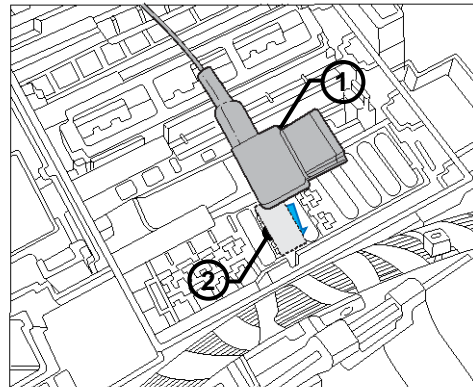
INSTALLATION INSTRUCTIONS

PLEASE ENSURE THAT INSTRUCTIONS ARE UNDERSTOOD PRIOR TO FITMENT
PLACE THESE INSTRUCTIONS IN THE VEHICLE'S GLOVEBOX AFTER INSTALLATION IS COMPLETED

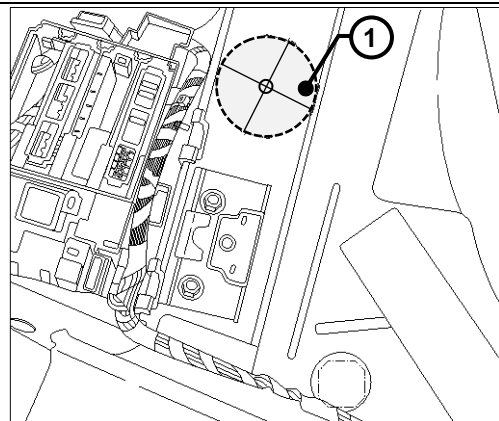
48. Insert the supplied 20Amp fuse (1) into the upper slot on the Add-A-Fuse (2) and connect the Add-A-Fuse to the harness (3).



49. Insert the Add-A-Fuse (1) to the blank fuse location (2) in the orientation shown.
50. **Note: To maintain correct electrical operation, ensure you insert the fuse adaptor into the allocated slot and in the orientation shown.**



51. Drill a 30mm grommet hole (1) in a suitable location on the chassis rail to enable the tail harness to be routed from the tow bar to the blue connector via the chassis rail access hole.



Hayman Reese (Cequent)
PO Box 4050, Dandenong South VIC 3164
Phone 1800 812 017 Email info@haymanreese.com.au

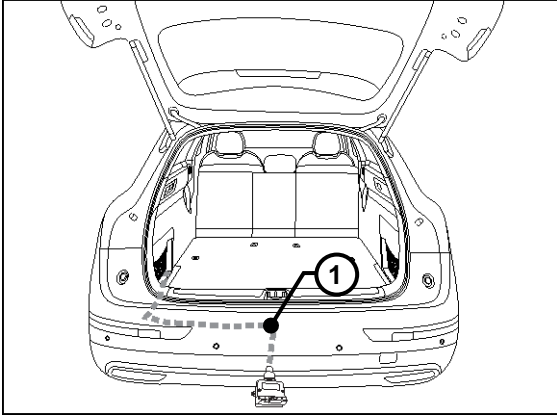
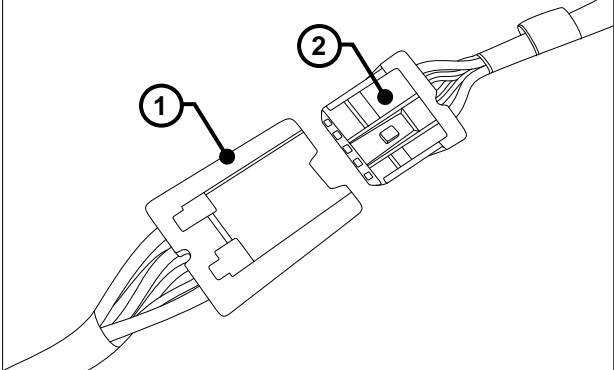
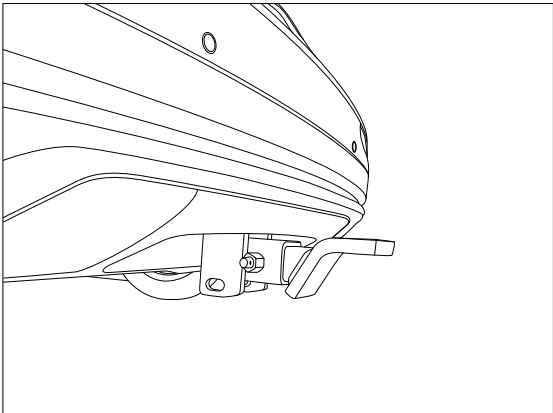
www.haymanreese.com.au



HAYMAN REESE
PART No: 03225RW
AUDI Q5 FY CL4

INSTALLATION INSTRUCTIONS

PLEASE ENSURE THAT INSTRUCTIONS ARE UNDERSTOOD PRIOR TO FITMENT
PLACE THESE INSTRUCTIONS IN THE VEHICLE'S GLOVEBOX AFTER INSTALLATION IS COMPLETED

<p>52. With the rear bumper removed, secure tail harness (1800mm) (1) to towbar.</p> <p>53. Route tail harness (1) up through chassis rail and previously drilled grommet hole.</p> <p>54. Seat grommet in 30mm hole and route to trailer harness blue connector on wiring loom.</p> <p>55. Note: Keep harness routing clear of all sharp edges, moving parts and places of extreme heat.</p>	
<p>56. Connect the tail harness 8-way connector (1) to the trailer patch 8-way mating connector (2).</p> <p>57. The RPA function can be disabled via a button below the centre console.</p> <p>58. Secure harness using cable ties.</p>	
<p>59. Carefully feed the bumper towbar cavity over the hitch box and reinstall bumper.</p> <p>60. Refit all removed parts and secure all fasteners, ensuring there are no squeaks or rattles.</p> <p>61. Place the fitting instructions in the glove box after fitment.</p>	

Hayman Reese (Cequent)
PO Box 4050, Dandenong South VIC 3164
Phone 1800 812 017 Email info@haymanreese.com.au

www.haymanreese.com.au





FITTING INSTRUCTIONS

Smart Pin (55070BL)

• These fitting instructions are supplied to ensure understanding of how the SMART PIN should be fitted and used correctly.

• Once installed, we recommend **ALL** instructions are kept and placed in the vehicle glove box.

NOTE: Routine maintenance and inspection of the towbar & SMART PIN is required. Regularly inspect for wear and check the tightness of the SMART PIN NUT. Follow instructions below to retighten the nut when necessary.

***Do not tow with your vehicle if the R CLIP or the SMART PIN NUT is loose or missing. Replacement parts are available from your Hayman Reese Distributor.**

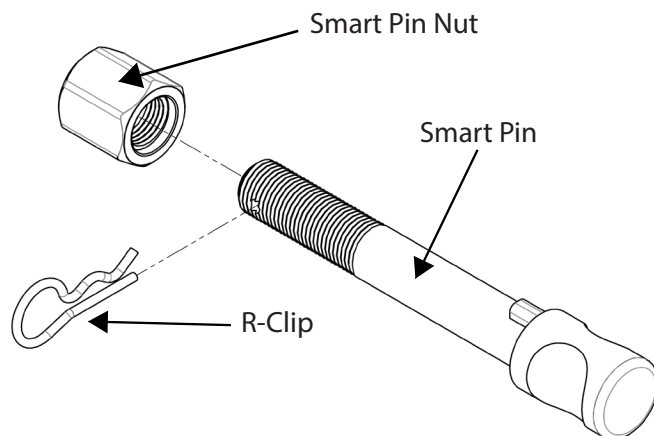
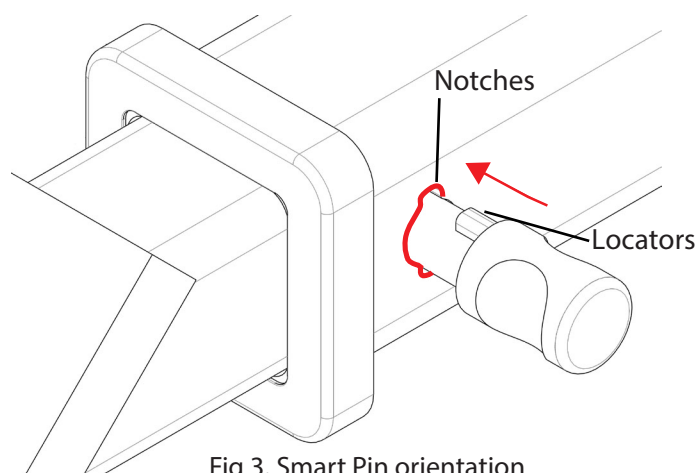
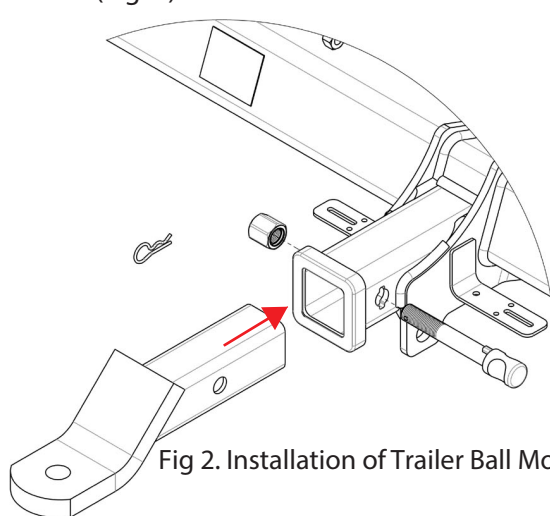


Fig 1. Smart Pin assembly

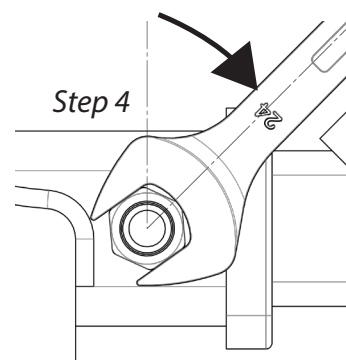
STEP 1 Insert Trailer Ball Mount (TBM) into towbar HITCHBOX, aligning hole in TBM SHANK with hole in HITCHBOX (Fig. 2).



STEP 2 Insert SMART PIN through hole in HITCHBOX and hole in TBM SHANK; ensure the LOCATORS are inserted into the NOTCHES in the HITCHBOX (Fig. 3).

STEP 3 Screw SMART PIN NUT onto SMART PIN; tighten SMART PIN NUT until finger tight, ensuring TBM is restrained from movement.

STEP 4 Tighten SMART PIN NUT by turning nut a further 1/8th of a turn in the clockwise direction using a 24mm spanner (Fig 4).



STEP 5 Install SMART PIN R CLIP through the hole on the SMART PIN (Fig. 1).

